

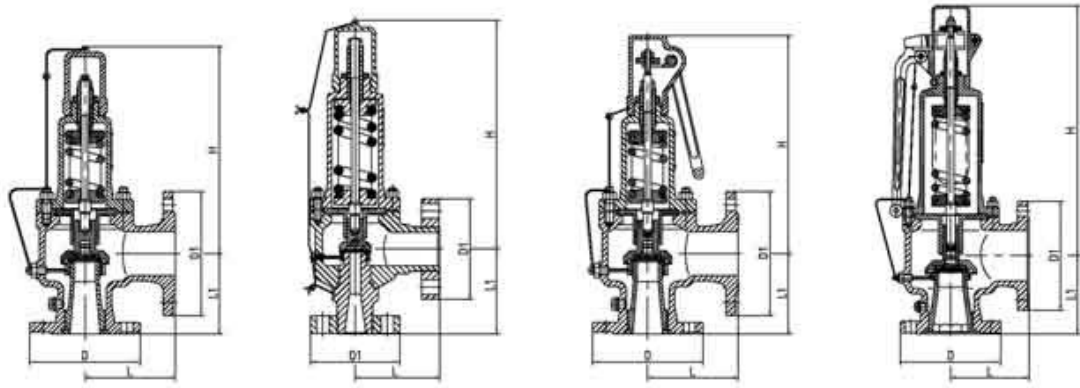


品
The future is now!

TEL: 400-880-8822

FAX: 400-880-8812

Add: 18/F, Qiangsheng Building,
145 Pujian Rd, Pudong New Area,
Shanghai 200127, P.R.C



型号	公称		主要结构尺寸(mm)					阀体	简要性能	
	通径	压力	D	D1	L	L1	H	材料	适用温度	适用介质
	DN(mm)	PN(Mpa)						℃		
A42Y-16C	32	1.6	135	146	115	110	285	铸钢	≤300	油品、空气等
"	40	"	150	160	120	110	278	"	"	"
"	50	"	165	180	135	120	332	"	"	"
"	65	"						"	"	"
"	80	"	200	215	170	135	478	"	"	"
"	100	"	220	245	205	160	590	"	"	"
"	150	"	280	310	255	230	650	"	"	"
"	200	"						"	"	"
A42Y-40	32	4	140	150	115	100	285	铸钢	≤300	油品、空气等
"	40	"	145	160	130	120	278	"	"	"
"	50	"	160	180	145	130	332	"	"	"
"	65	"						"	"	"
"	80	"	195	215	170	150	478	"	"	"
"	100	"	230	245	205	185	590	"	"	"
"	150	"	300	310	255	230	650	"	"	"
"	200	"						"	"	"
A42Y-64	32	6.4						铸钢	≤300	油品、空气等
"	40	"	165	160	130	120	308	"	"	"
"	50	"	175	180	155	130	464	"	"	"
"	65	"						"	"	"
"	80	"	210	230	175	160	582	"	"	"
"	100	"	250	270	195	195	600	"	"	"
A42Y-100	32	10						铸钢	≤300	油品、空气等
"	40	"						"	"	"
"	50	"	195	180	155	130	500	"	"	"
"	65	"						"	"	"
"	80	"	230	230	175	160	760	"	"	"
"	100	"	265	270	220	210	750	"	"	"
SA42Y-160	32	16	115	165	150	150	397	铸钢	≤200	氮、氨气、油品、空气
"	40	"	165	200	165	165	438	"	"	"
SA42Y-320	32	3.2	135	165	150	150	395	铸钢	≤200	氮、氨气、油品、空气

"	40	"						"	"	"
SA42Y-400	32	40	135	165	150	150	397	铸钢	≤200	氮、氨气、油品、空气
"	40	"						"	"	"
A44Y-16C	32	1.6						铸钢	≤300	油品、空气等
A44Y-16C	80	1.6	200	220	170	135	538	铸钢	≤300	油品、空气等
"	100	"	215	245	205	185	655	"	"	"
"	150	"	280	310	255	230	740	"	"	"
"	200	"						"	"	"
A44Y-40	32	4						铸钢	≤300	油品、空气等
"	40	"	145	165	130	120	314	"	"	"
"	50	"	160	180	145	130	376	"	"	"
"	65	"						"	"	"
"	80	"	195	215	170	150	538	"	"	"
"	100	"	230	245	205	185	655	"	"	"
"	150	"	300	310	255	230	740	"	"	"
"	200	"						"	"	"
A44Y-64	32	6.4						铸钢	≤300	油品、空气等
"	40	"						"	"	"
"	50	"	175	180	155	130	520	"	"	"
"	65	"						"	"	"
"	80	"	210	230	175	160	810	"	"	"
"	100	"	250	270	195	195	890	"	"	"
A44Y-100	32	10						铸钢	≤300	油品、空气等
"	40	"						"	"	"
"	50	"	195	180	155	130	520	"	"	"
"	65	"						"	"	"
"	80	"	230	230	175	160	810	"	"	"
"	100	"	265	270	220	210	780	"	"	"
A48Y-16C	32	1.6						铸钢	≤350	蒸气等
"	40	"	145	160	130	115	312	"	"	"
"	50	"	160	180	145	130	366	"	"	"
"	65	"						"	"	"
"	80	"	195	215	170	150	528	"	"	"
"	100	"	215	245	205	185	655	"	"	"
"	150	"	280	310	255	230	724	"	"	"
"	200	"						"	"	"
A48Y-40	32	4						铸钢	≤350	蒸气等
A48Y-64	32	6.4						铸钢	≤350	蒸气等
"	40	"						"	"	"
"	50	"	175	180	155	130	508	"	"	"
"	65	"						"	"	"
"	80	"	210	230	175	160	655	"	"	"
"	100	"	250	270	195	195	680	"	"	"
A48Y-100	32	10						铸钢	≤350	蒸气等
"	40	"						"	"	"
"	50	"	195	180	160	130	508	"	"	"
"	65	"						"	"	"
"	80	"	180	230	175	160	655	"	"	"
"	100	"	265	270	220	210	785	"	"	"
S NA-42 25C1	32	"	195			120	185	锻钢	≤55	液化气
"	40	"	230			100	205	"	"	"
"	50	"	270			104	250	"	"	"