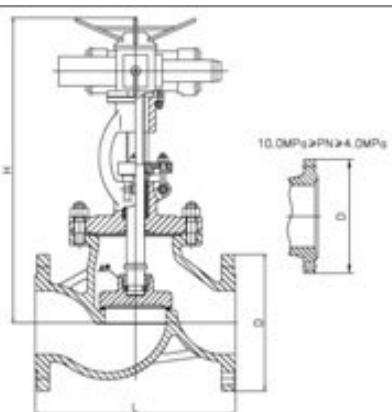




工业品 · 仪器 · 医疗  
The future is now!

TEL: 400-880-8822  
FAX: 400-880-8812  
Add: 18/F, Qiangsheng Building,  
145 Pujian Rd, Pudong New Area,  
Shanghai 200127, P.R.C  
\* A WESTINGAREA COMPANY



主要零件材料及性能规范

主要零部件	阀体、阀盖	WCB	ZG1Cr18Ni9Ti	ZG1Cr18Ni12Mo2Ti	ZG1Cr5Mo
	阀瓣	1Cr13		1Cr18Ni12Mo2Ti	1Cr5Mo
	阀杆	1Cr13	1Cr18Ni9Ti	1Cr18Ni12Mo2Ti	1Cr5Mo
	阀杆螺母	ZguAL10Fe3/球墨铸铁			
	填料	柔性石墨、石墨石棉盘根			
主要参数	适用介质	蒸汽、油品、水等	硝酸类	醋酸类	蒸汽、油品、水等
	适用温度 ℃	≤425	≤200	≤200	≤425

型号	公称		主要结构尺寸(mm)				阀体材料	性能规范	
	通径 DN(mm)	压力 PN(MPa)	D	D <sub>0</sub>	L	H		适用温度(℃)	适用介质
J941H-25	32	2.5	135	180	480		碳钢	≤425	蒸汽、油品、水等
"	40	"	145	200	540		"	"	"
"	50	"	160	230	645		"	"	"
"	65	"	180	290	690		"	"	"
"	80	"	195	310	715		"	"	"
"	100	"	230	350	770		"	"	"
"	125	"	270	400	782		"	"	"
"	150	"	300	480	875		"	"	"
"	200	"	360	600	968		"	"	"

J941H-40	32	4	135	180	480		碳钢	≤425	蒸气、油品、水等
"	40	"	145	200	540		"	"	"
"	50	"	160	230	645		"	"	"
"	65	"	180	290	690		"	"	"
"	80	"	195	310	715		"	"	"
"	100	"	230	350	770		"	"	"
"	125	"	270	400	782		"	"	"
"	150	"	300	480	875		"	"	"
"	200	"	375	600	968		"	"	"
J941H-64	32	6.4	150	260	480		碳钢	≤425	蒸气、油品、水等
"	40	"	165	260	540		"	"	"
"	50	"	175	300	710		"	"	"
"	65	"	200	340	750		"	"	"
"	80	"	210	380	785		"	"	"
"	100	"	250	430	837		"	"	"
"	125	"	295				"	"	"
"	150	"	340				"	"	"
"	200	"	405				"	"	"
J941H-100	32	10	150	260	520		碳钢	≤425	蒸气、油品、水等
"	40	"	165	260	560		"	"	"
"	50	"	195	300	710		"	"	"
"	65	"	220	340	750		"	"	"
"	80	"	230	380	785		"	"	"
"	100	"	265	430	837		"	"	"
"	125	"	310				"	"	"
"	150	"	350				"	"	"
"	200	"	430				"	"	"