



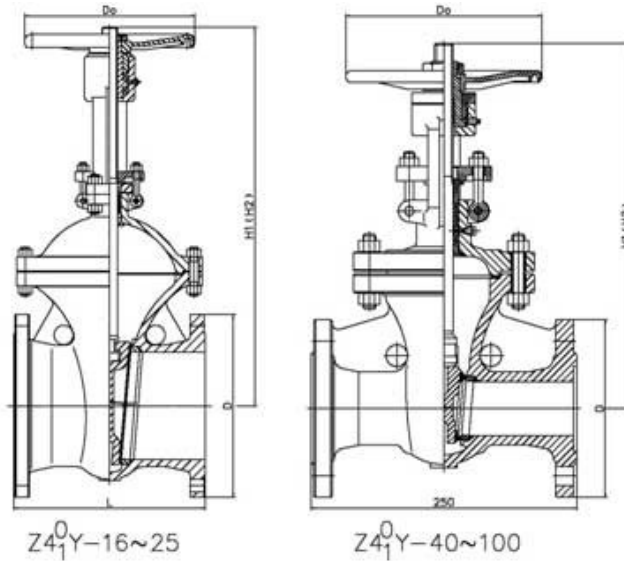
品
The future is now!

TEL: 400-880-8822

FAX: 400-880-8812

Add: 18/F, Qiangsheng Building,
145 Pujian Rd, Pudong New Area,
Shanghai 200127, P.R.C

* A WESTINGAREA COMPANY



主要零部件	阀体、阀盖、闸板	ZG2Cr5Mo
	阀杆	20Cr1Mo1V1
	阀杆螺母	ZguAL10Fe3/球墨铸铁
	填料	柔性石墨、石墨石棉盘根
主要参数	适用介质	蒸汽、油品、水等
	适用适用温度℃	≤550

型号	公称		主要结构尺寸(mm)					阀体材料	性能规范	
	通径DN(mm)	压力PN(MPa)	D	D ₀	L	H ₁	H ₂		适用温度℃	适用介质
Z4 ₁ ⁰ Y-16I	50	1.6	160	200	250	185	240	ZGCr5Mo	≤550	蒸汽、油品、水
"	65	"	180	200	270	240	20	"	"	"
"	80	"	195	250	280	350	395	"	"	"
"	100	"	215	250	300	370	480	"	"	"
"	150	"	280	300	350	560	720	"	"	"
"	200	"	335	350	400	735	955	"	"	"
"	250	"	405	400	450	880	1150	"	"	"
"	300	"	460	450	500	1050	1375	"	"	"
"	350	"	520	500	550	1195	1565	"	"	"
"	400	"	580	550	600	1335	1760	"	"	"

"	500	"	705	600	700	1720	2270	"	"	"
"	600	"	840	650	800	1830	2480	"	"	"
"	700	"	910		900			"	"	"
Z4 ₁ ⁰ Y-25I	50	2.5	160	200	250	185	240	ZGCr5Mo	≤550	蒸汽、油品、水
"	65	"	180	200	270	240	320	"	"	"
"	80	"	195	250	280	305	395	"	"	"
"	100	"	230	250	300	370	480	"	"	"
"	150	"	300	300	350	560	720	"	"	"
"	200	"	360	360	400	735	955	"	"	"
"	250	"	425	425	450	880	1160	"	"	"
"	300	"	485	485	500	1080	1405	"	"	"
"	350	"	550	550	550	1210	1580	"	"	"
"	400	"	610	610	600	1345	1780	"	"	"
"	500	"	730	730	700	1740	2290	"	"	"
"	600	"	840	650	800	1850	2500	"	"	"
"	700	"	955		900			"	"	"
Z4 ₁ ⁰ Y-40I	50	4	160	250	250	220	295	ZGCr5Mo	≤550	蒸汽、油品、水
"	65	"	180	250	280	290	365	"	"	"
"	80	"	195	300	310	360	450	"	"	"
"	100	"	230	300	350	450	570	"	"	"
"	150	"	300	350	450	620	790	"	"	"
"	200	"	375	400	550	830	1050	"	"	"
"	250	"	445	450	650	950	1235	"	"	"
"	300	"	510	500	750	1120	1450	"	"	"
"	350	"	570	550	850	1560	1940	"	"	"
"	400	"	655	600	950	1770	2200	"	"	"
"	500	"	755	680	1050	1880		"	"	"
Z4 ₁ ⁰ Y-64I	50	6.4	175	300	250	240	320	ZGCr5Mo	≤550	蒸汽、油品、水
"	65	"	200	300	280	310	390	"	"	"
"	80	"	210	350	310	380	470	"	"	"
"	100	"	250	350	350	470	590	"	"	"
"	150	"	340	400	450	640	810	"	"	"
"	200	"	405	450	550	850	1070	"	"	"
"	250	"	470	500	650	1000	1270	"	"	"
"	300	6.4	530	550	750	1210	1550	"	"	"
Z4 ₁ ⁰ Y-100I	50	10	195	300	250	260	340	ZGCr5Mo	≤550	蒸汽、油品、水
"	65	"	220	300	280	330	410	"	"	"
"	80	"	230	350	310	400	490	"	"	"
"	100	"	265	350	350	490	610	"	"	"
"	150	"	350	400	450	660	830	"	"	"
"	200	"	430	450	550	1100	1320	"	"	"
"	250	"	500	500	650	1300	1580	"	"	"
"	300	"	585	550	750	1480	1810	"	"	"